

DUCATI SCRAMBLER 800 '23-

M O U N T I N G I N S T R U C T I O N S

REF 21580

WINDSHIELD NG SPORT



1 Person



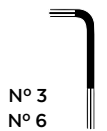
30 min



EASY



ALLEN



N° 3
N° 6

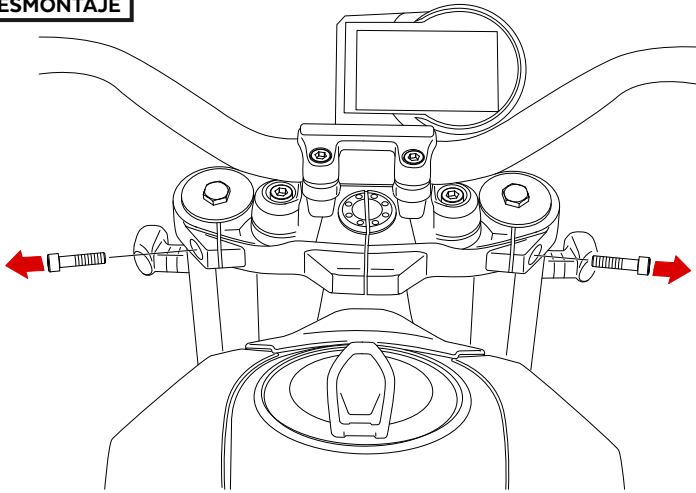
ID.	PIEZA/PART	DESCRIPCIÓN	DESCRIPTION	QTY.	REF.:
1		Cúpula Sport	Sport screen	1	21580H/W/F/NM3
2		Soporte Izquierdo (L)	Left support (L)	1	SOPOR2P7-L21580
3		Soporte derecho (R)	Right support (R)	1	SOPOR2P7-R21580
4		Casquillo Ø8,5xØ13x20	Ø8,5xØ13x20 arrowhead	2	CASQUI-----586
5		Tornillo M8x45 DIN912	M8x45 DIN912 screw	2	TORNI-AD912-508
6		Arandela de goma Ø4,5xØ11x2mm	Ø4,5xØ11x2mm rubber washer	3	ARAND-EPDM--722
7		Tornillo Allen M5x12 Ø11 ISO 7380	M5x12 Ø11 ISO 7380 Allen screw	3	TORNI-AI----520
8		Tapón tornillo M5 DIN7991	M5 DIN7991 screw cap	3	TAPON-----92
9		Arandela de nylon M5	M5 nylon washer	3	ARNV0000000245

DUCATI SCRAMBLER 800 '23-

INSTRUCCIONES DE MONTAJE - MOUNTING INSTRUCTIONS - MONTAGEANLEITUNG

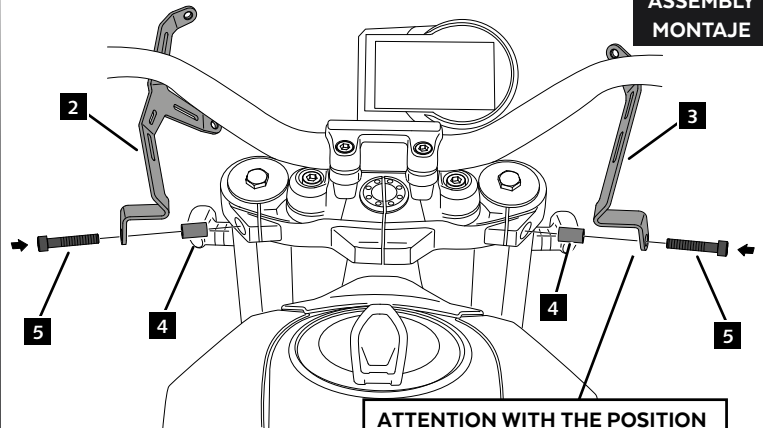
1

**DISASSEMBLY
DESMONTAJE**



2

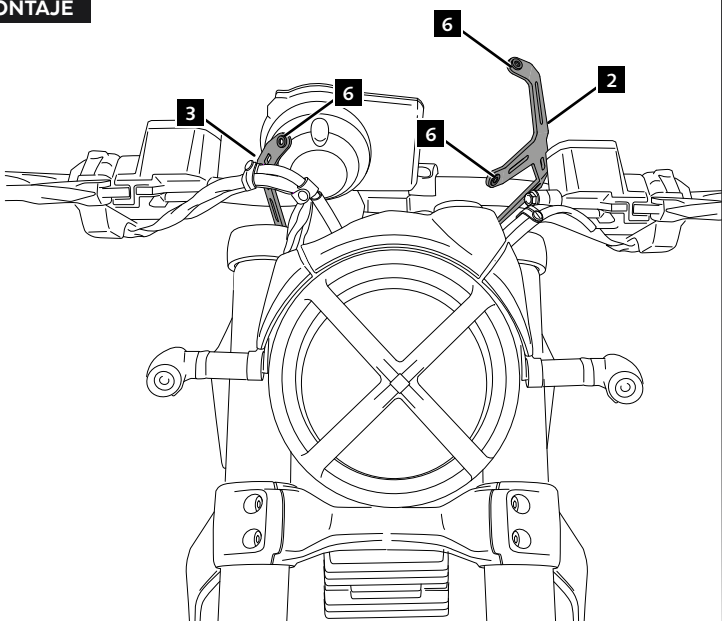
**ASSEMBLY
MONTAJE**



**ATTENTION WITH THE POSITION
OF THE RIGHT SUPPORT**

3

**ASSEMBLY
MONTAJE**



4

**ASSEMBLY
MONTAJE**

